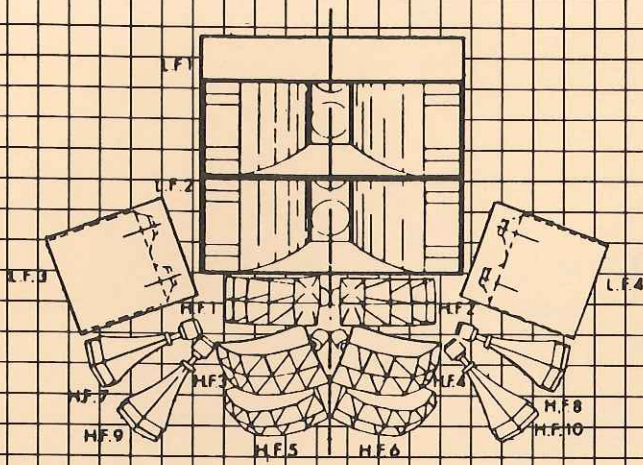


ALTEC LANSING APPLICATIONS NOTES



AN-11

CONSTRUCTION PLANS FOR LOW-FREQUENCY ENCLOSURES

This Applications Note presents drawings and plans for many Altec Lansing low-frequency enclosures. These should guide the builder experienced in basic joinery and loudspeaker construction in making repair parts, or in building these cabinets, if need be.

In general, any low-frequency enclosure drawing not included in this group is not available for release at the present time. Your suggestions for other enclo-

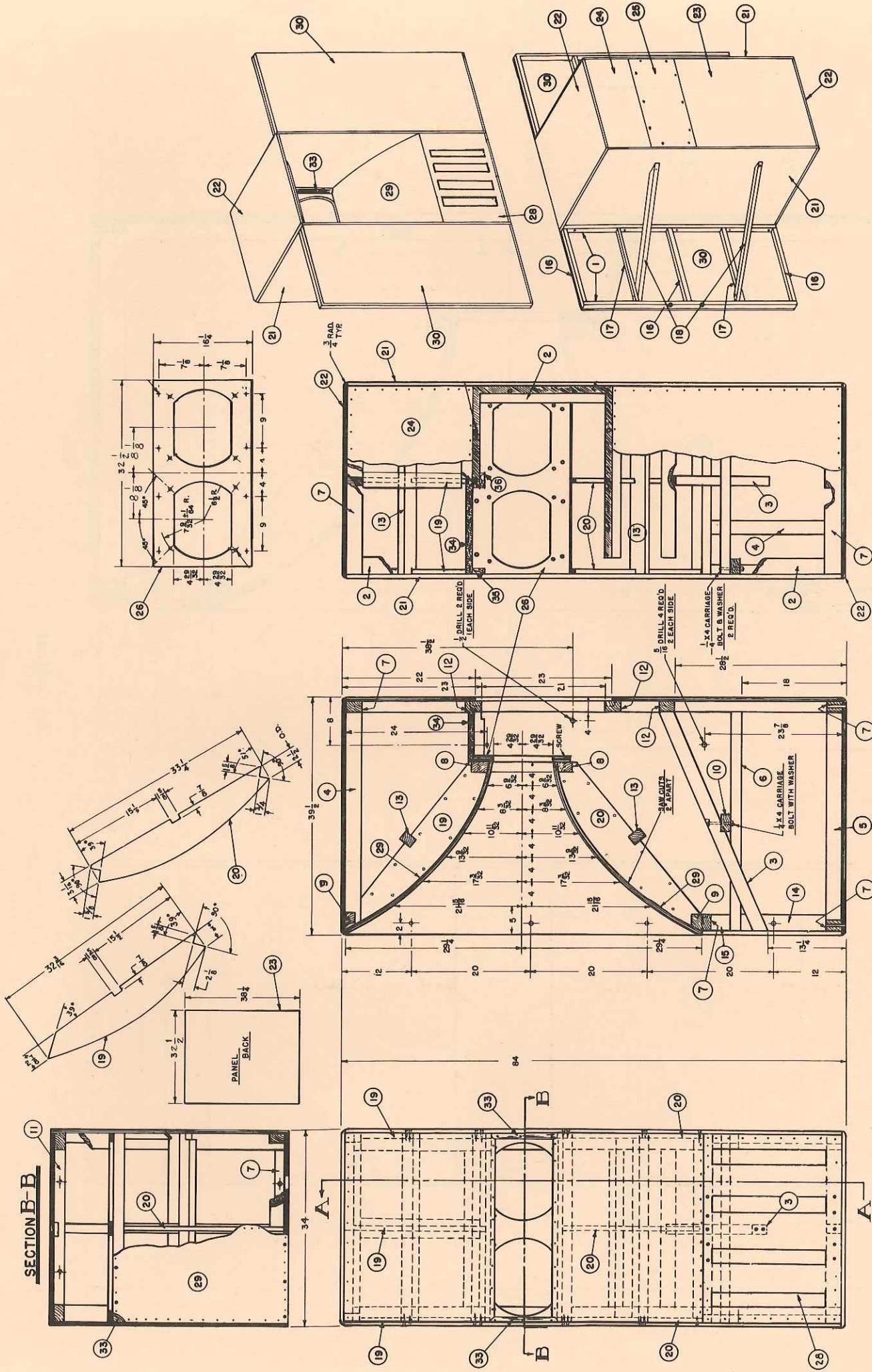
tures you would like included in future editions are welcome.

The reader should also refer to AN-5, "Customizing Altec Lansing Loudspeaker Enclosures," for instructions on adapting some of these cabinet designs to various loudspeakers.

AN-12 contains cabinet drawings for Altec Lansing 8000-series cabinets.

CONTENTS

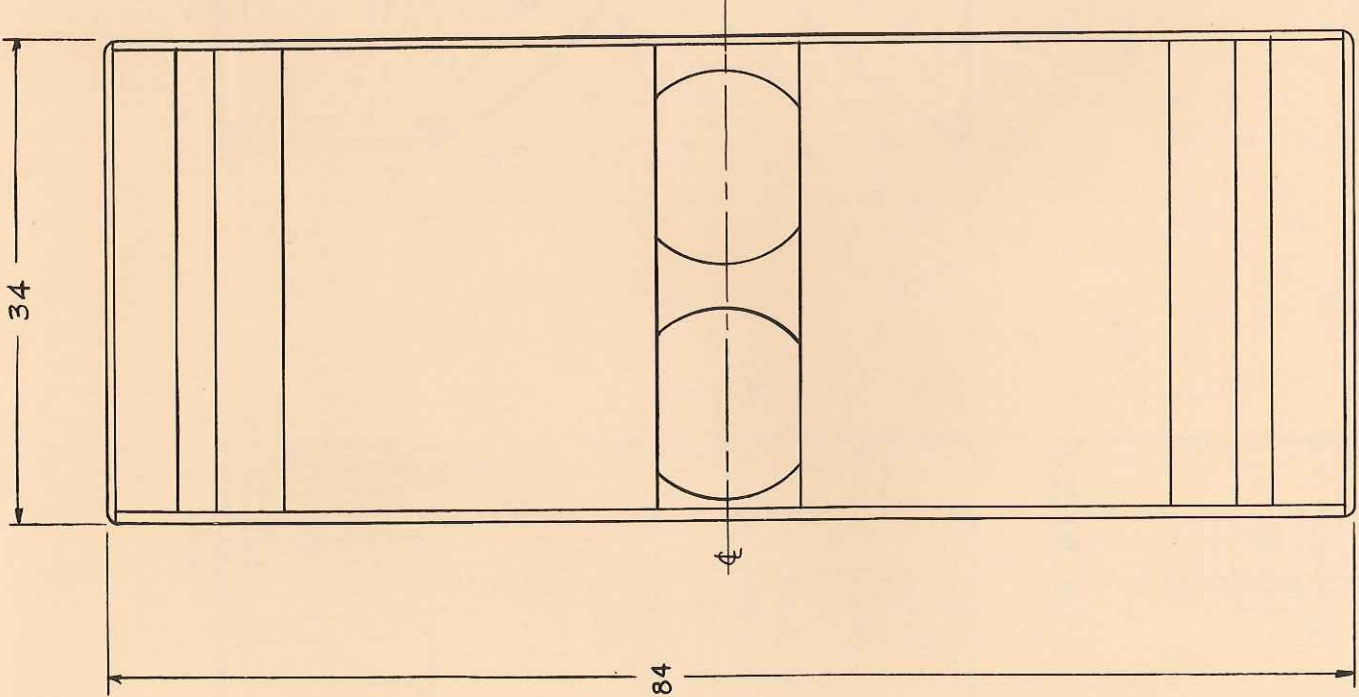
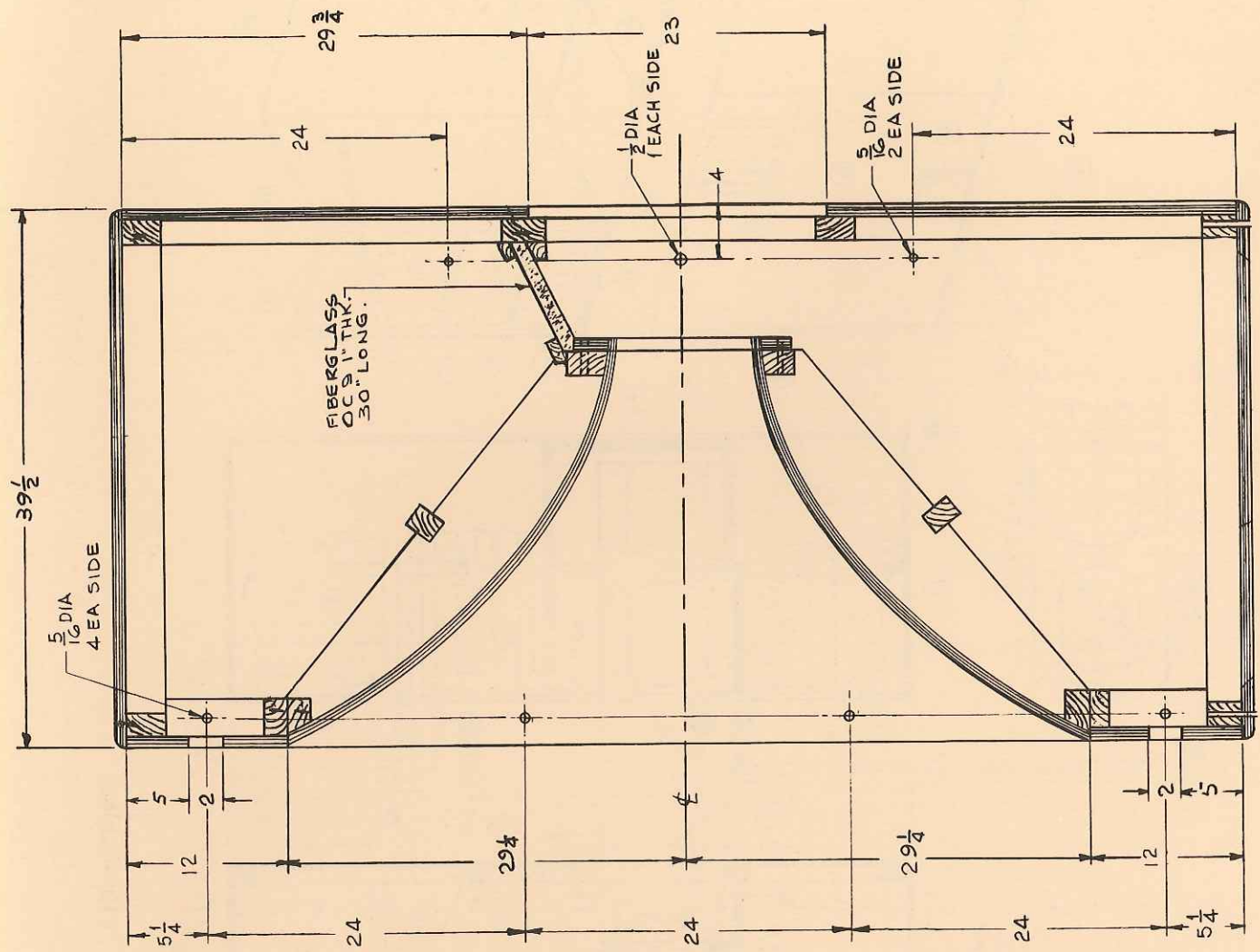
Cabinet for A8 Voice of the Theatre® System	2
210A Cabinet	3
211 Cabinet	4
612 Cabinet	5
614 Cabinet	6
620 Cabinet	7
815 Cabinet	8
816 Cabinet	9
817 Cabinet	10
828 Cabinet	11
Cabinet for 849 Column Loudspeaker	12
930 Cabinet	13
937 Cabinet	14
Cabinet for 1230 Loudspeaker System	15
Cabinet for 1233 Loudspeaker System	16
Cabinet for 1234 Loudspeaker System	17
Cabinet for 9842 Studio Monitor System	18
Cabinet for 9844 Studio Monitor System	19
Cabinet for 9849 Studio Monitor System	20



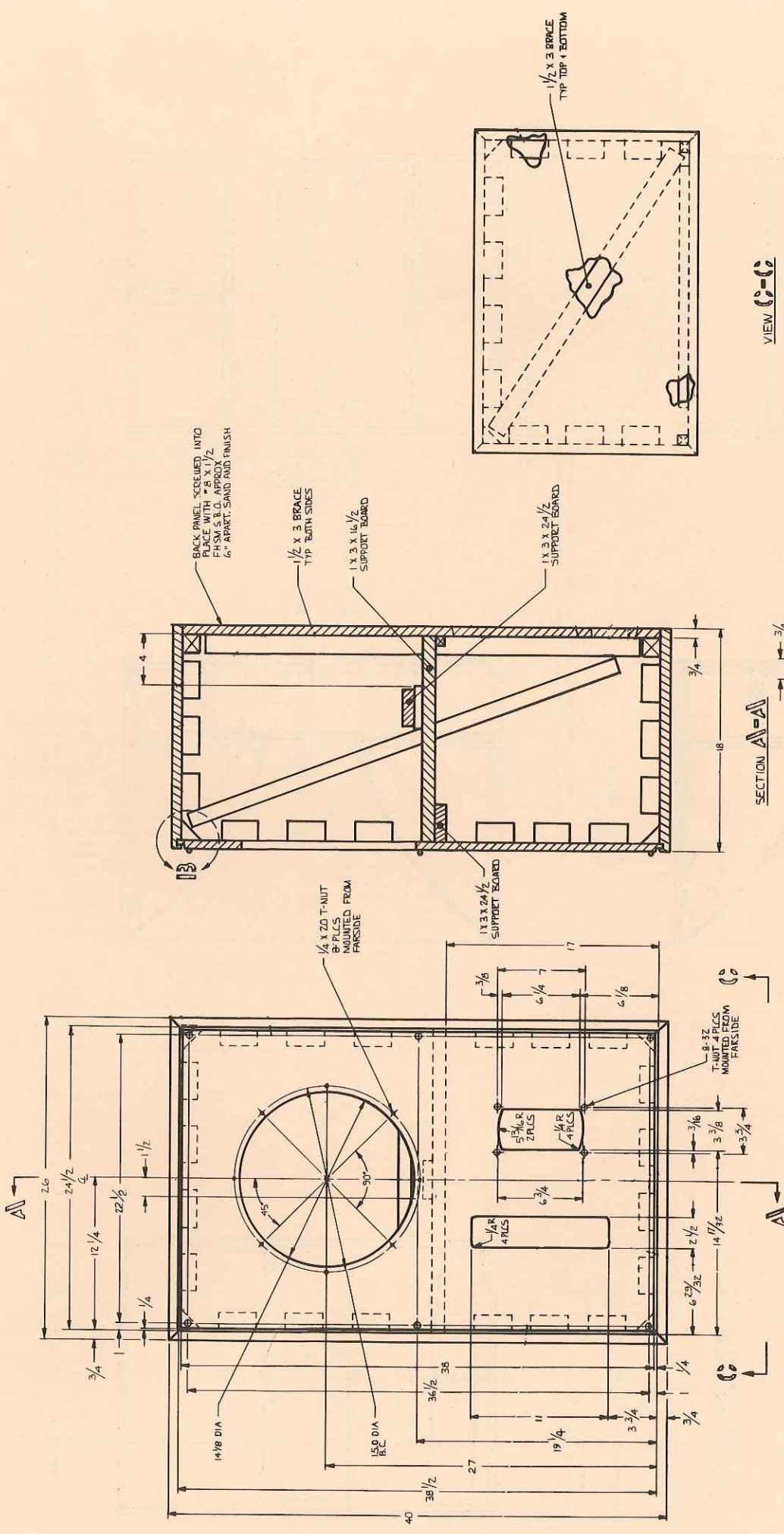
SECTION A-A
(BASIC HORN UNIT)

SECTION B-B

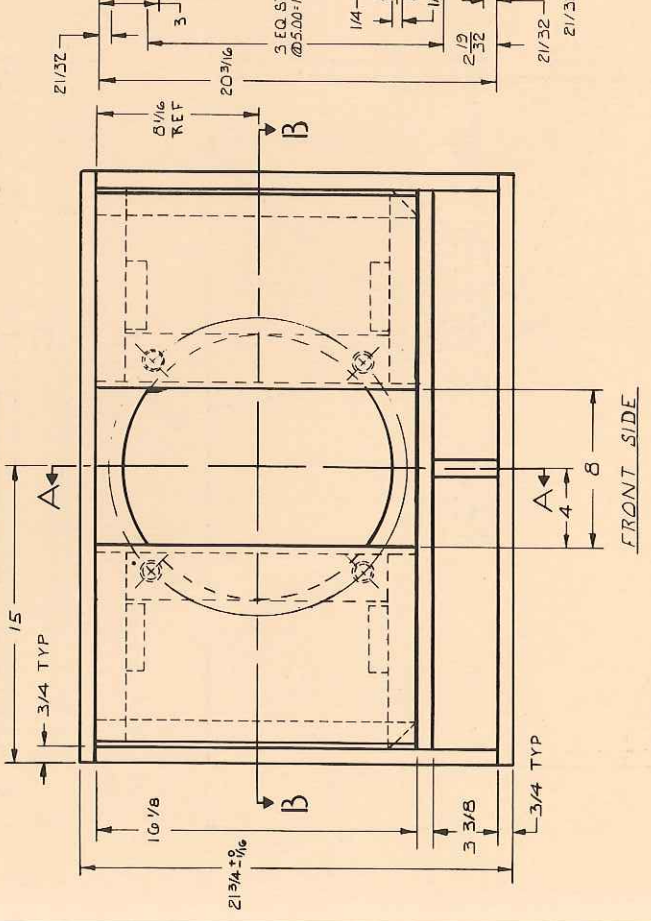
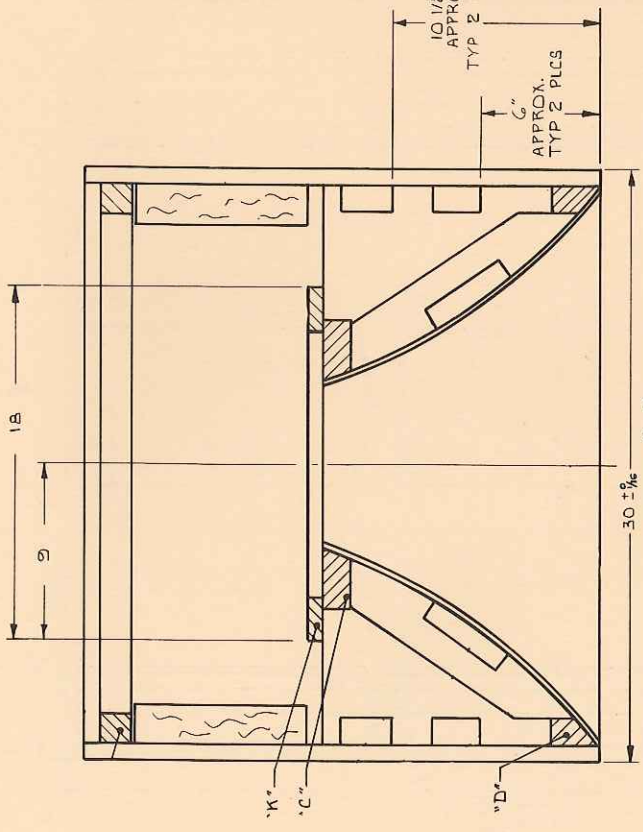
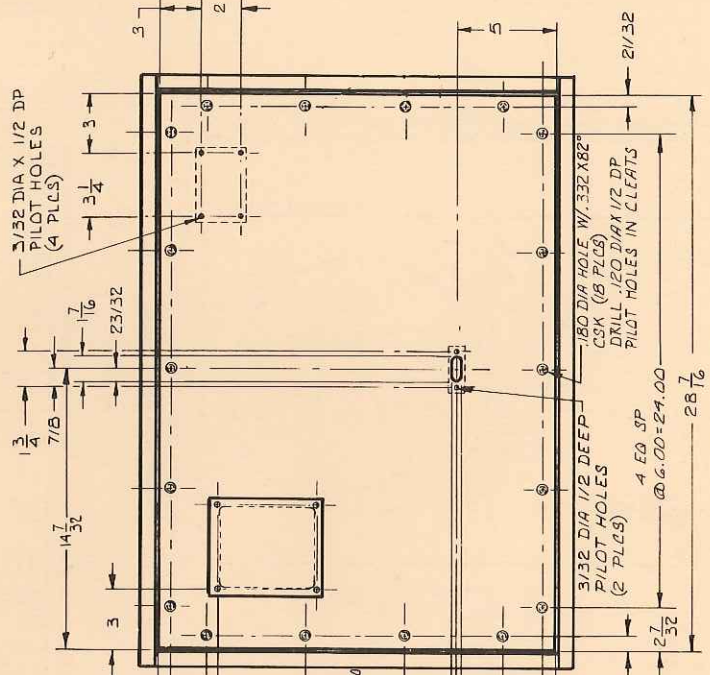
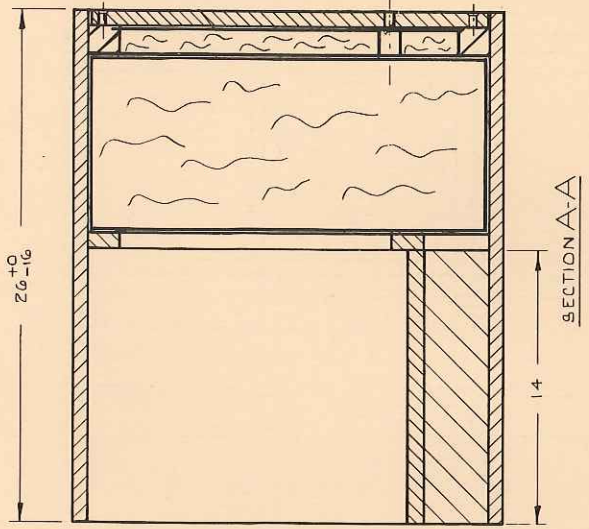
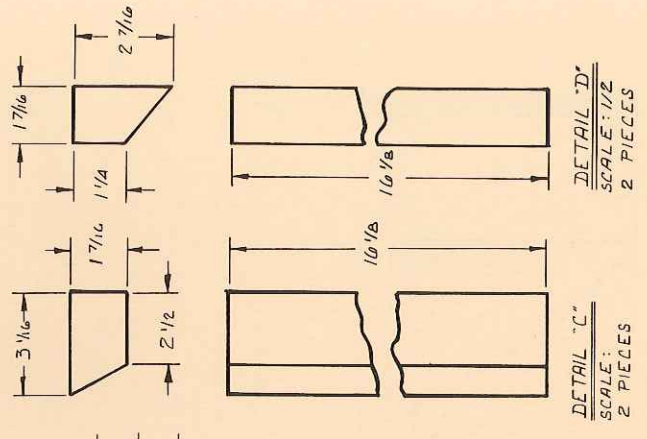
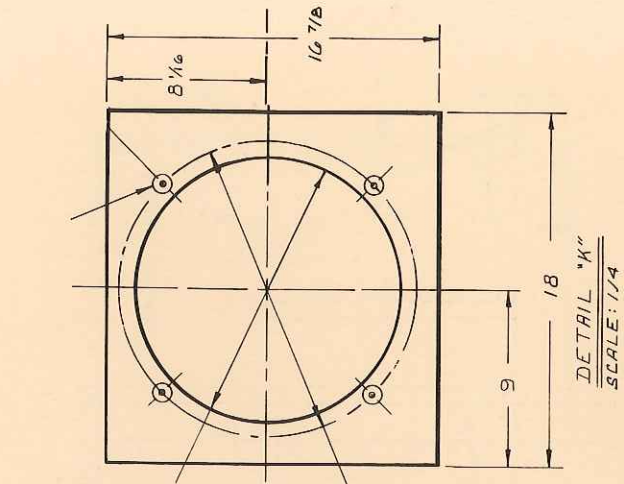
210A Cabinet



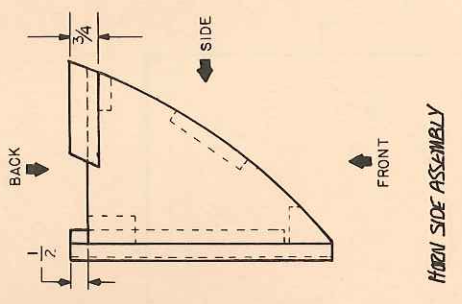
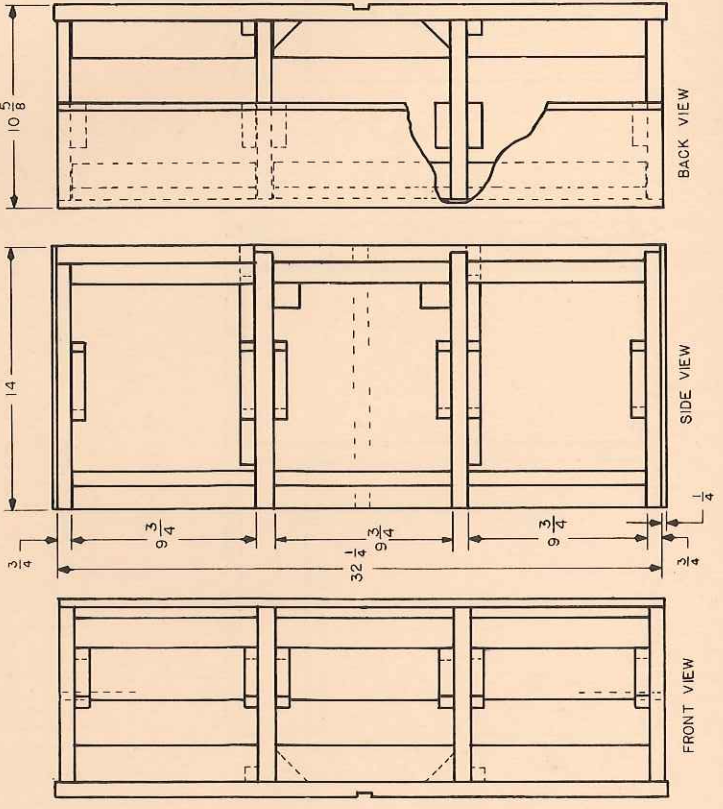
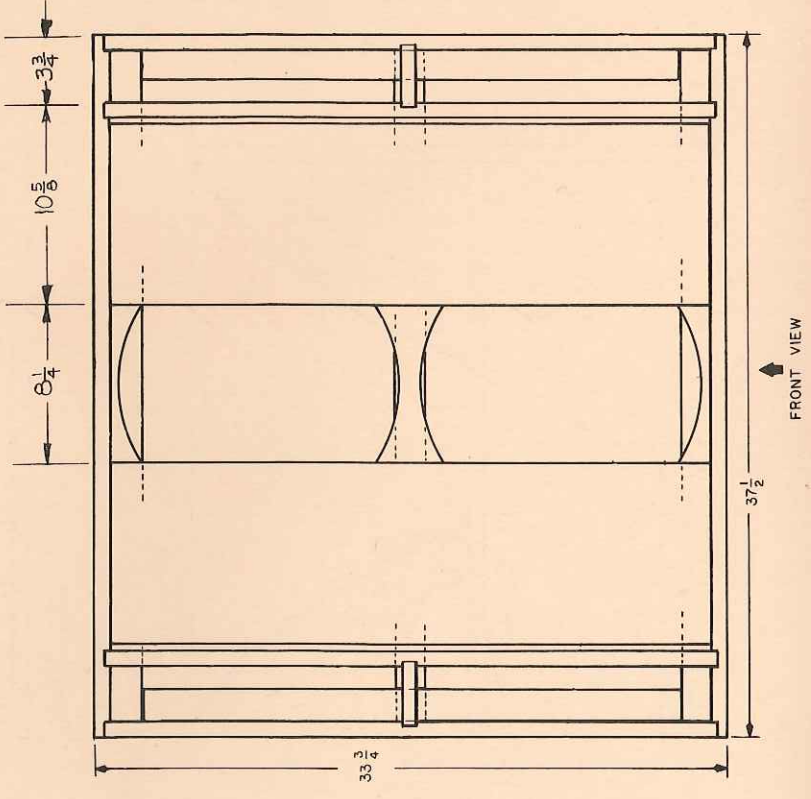
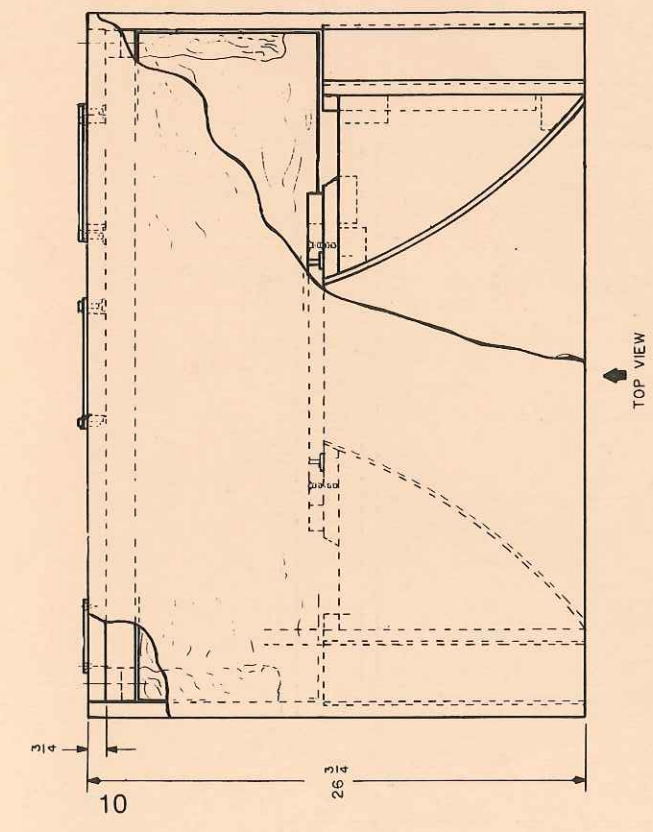
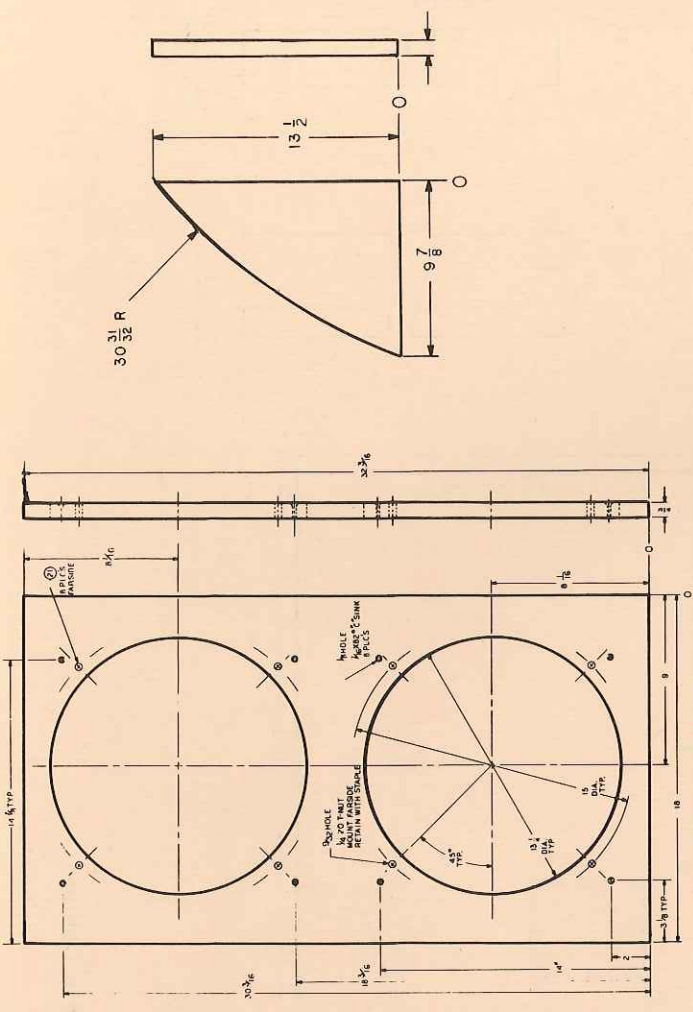
211 Cabinet



620 Cabinet

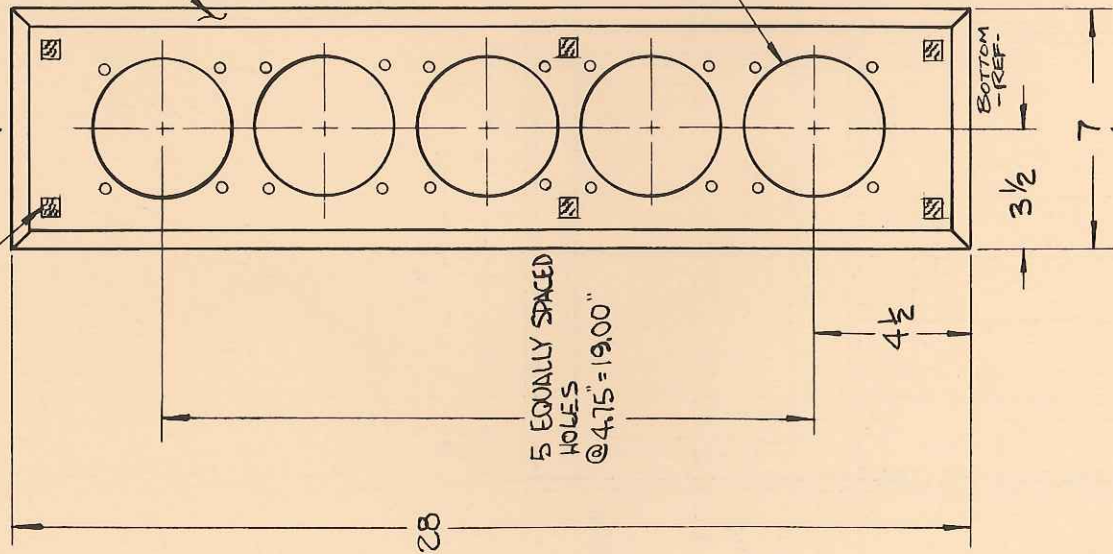


816 Cabinet

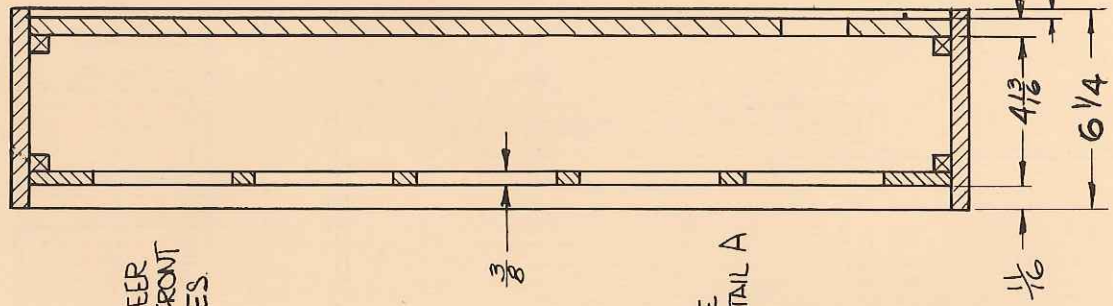


817 Cabinet

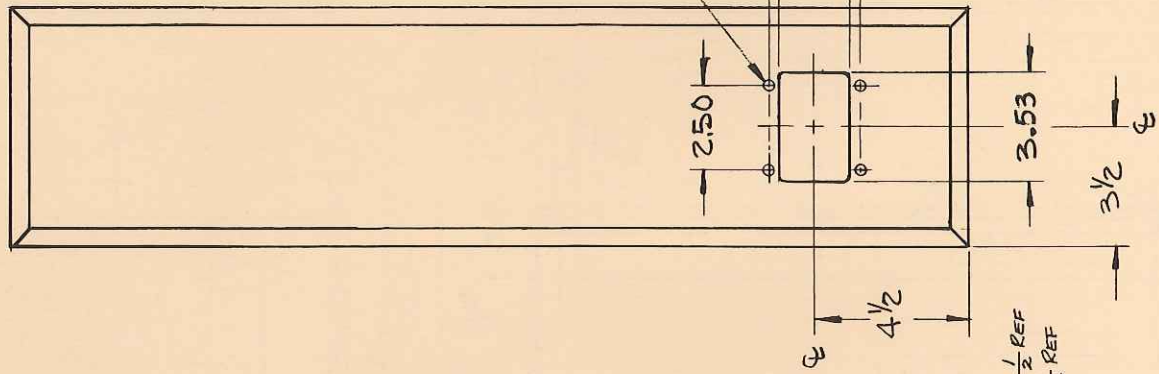
VELCRO TAPE HERE & ON GRILLE SUPPORT
6 PLACES TO RETAIN.



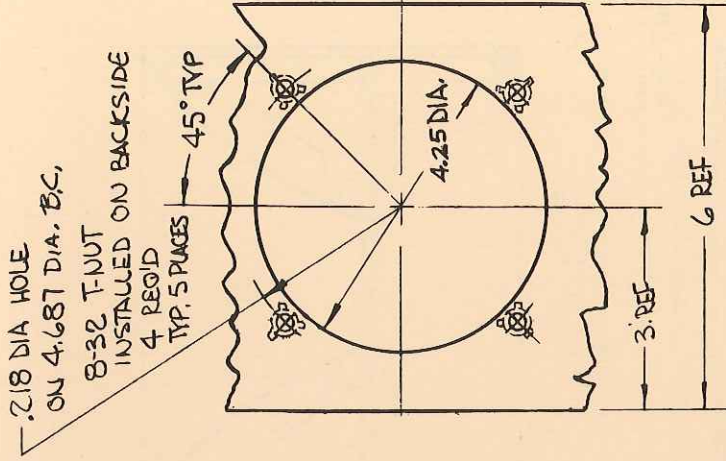
FRONT VIEW



SECTION A-A

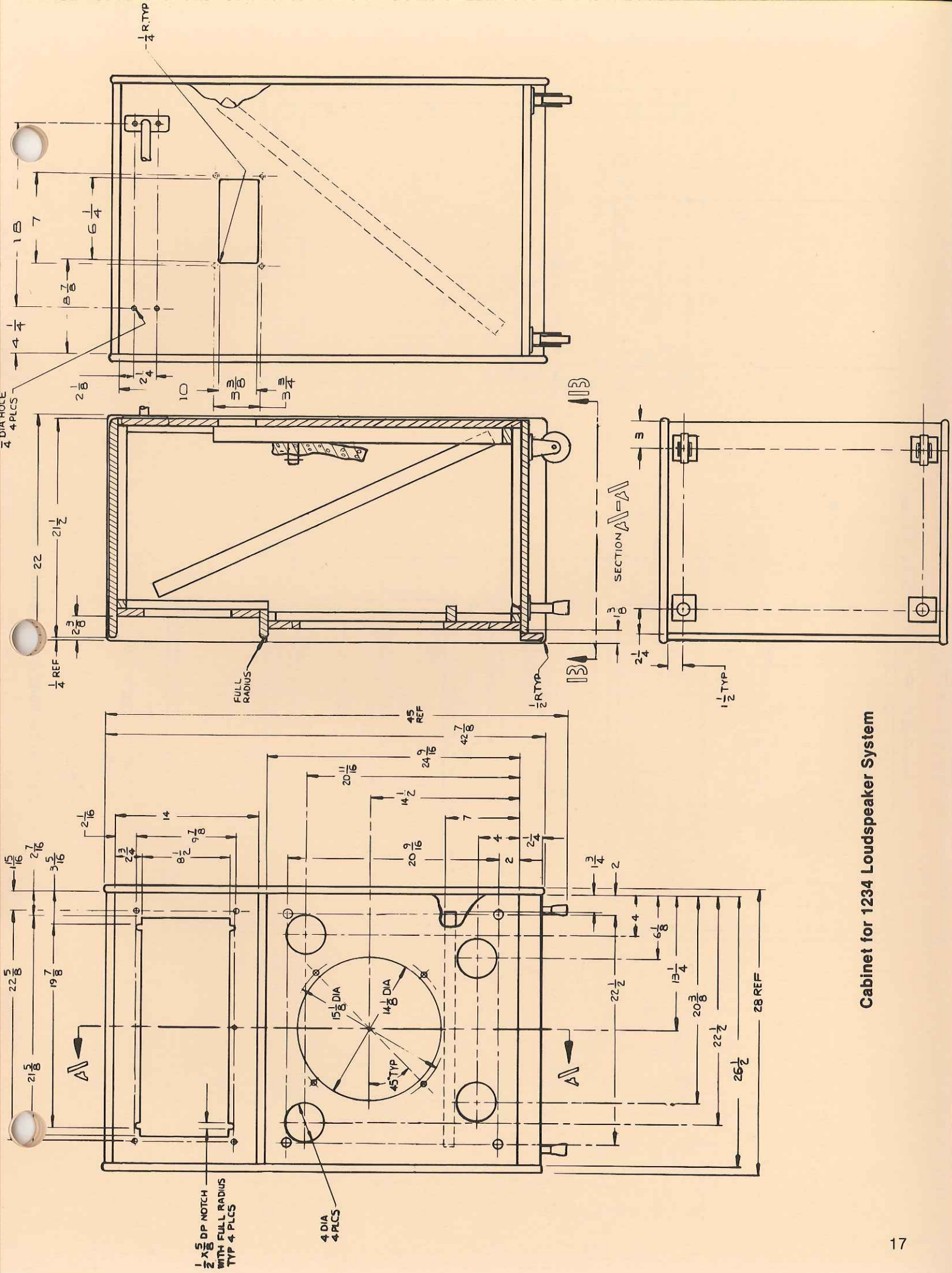


BACK VIEW

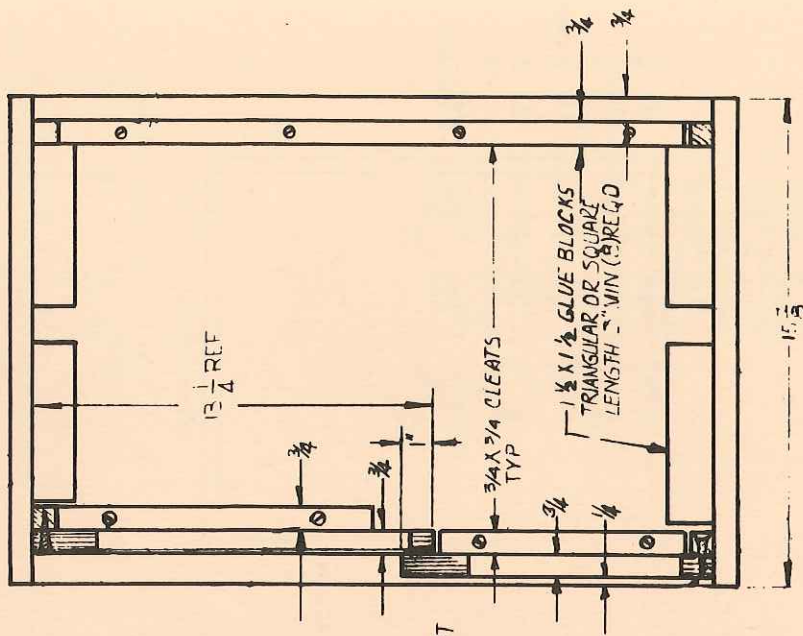
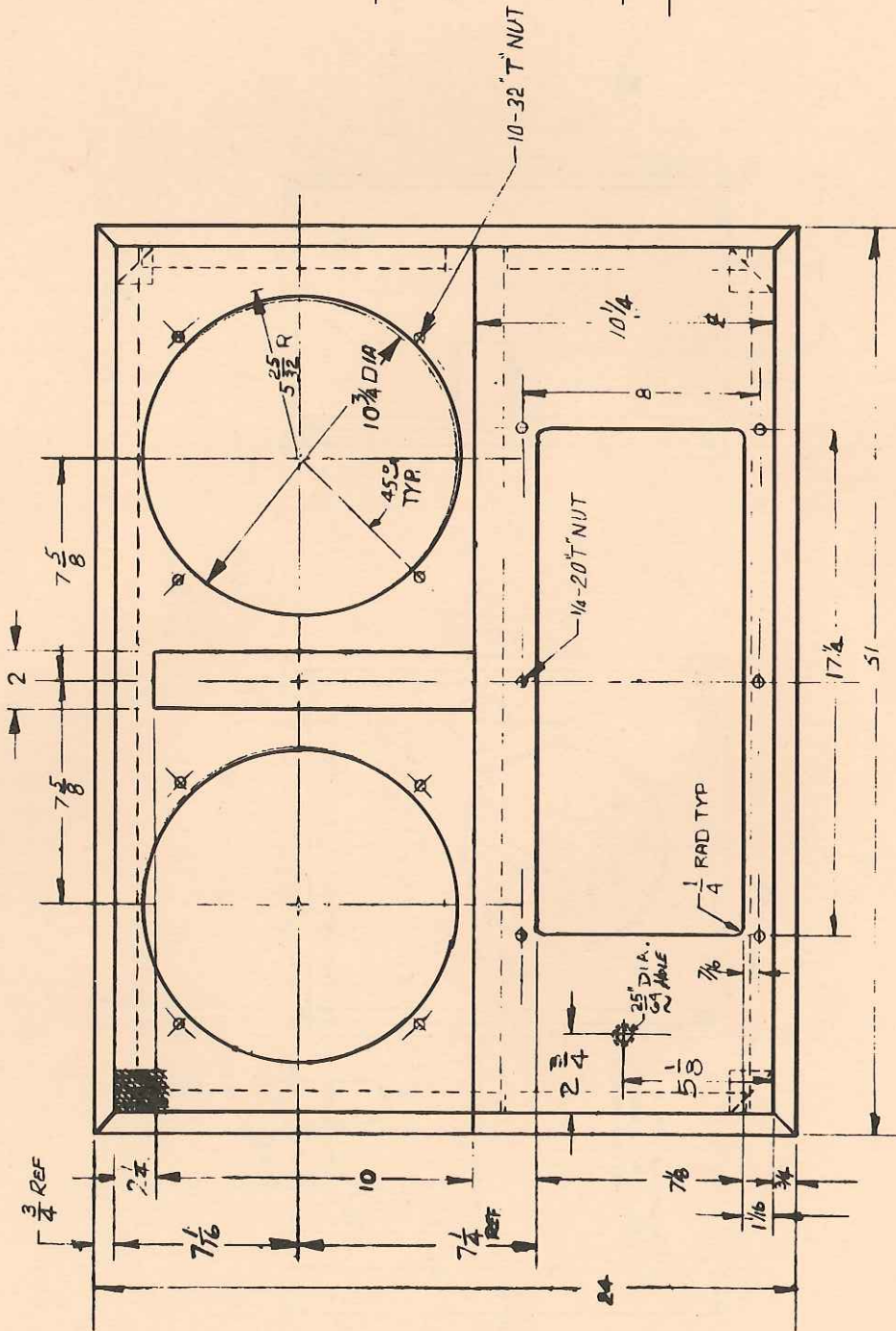


DET. A

.15 DIA (4) HOLES.



Cabinet for 1234 Loudspeaker System



Cabinet for 9844 Studio Monitor System

